

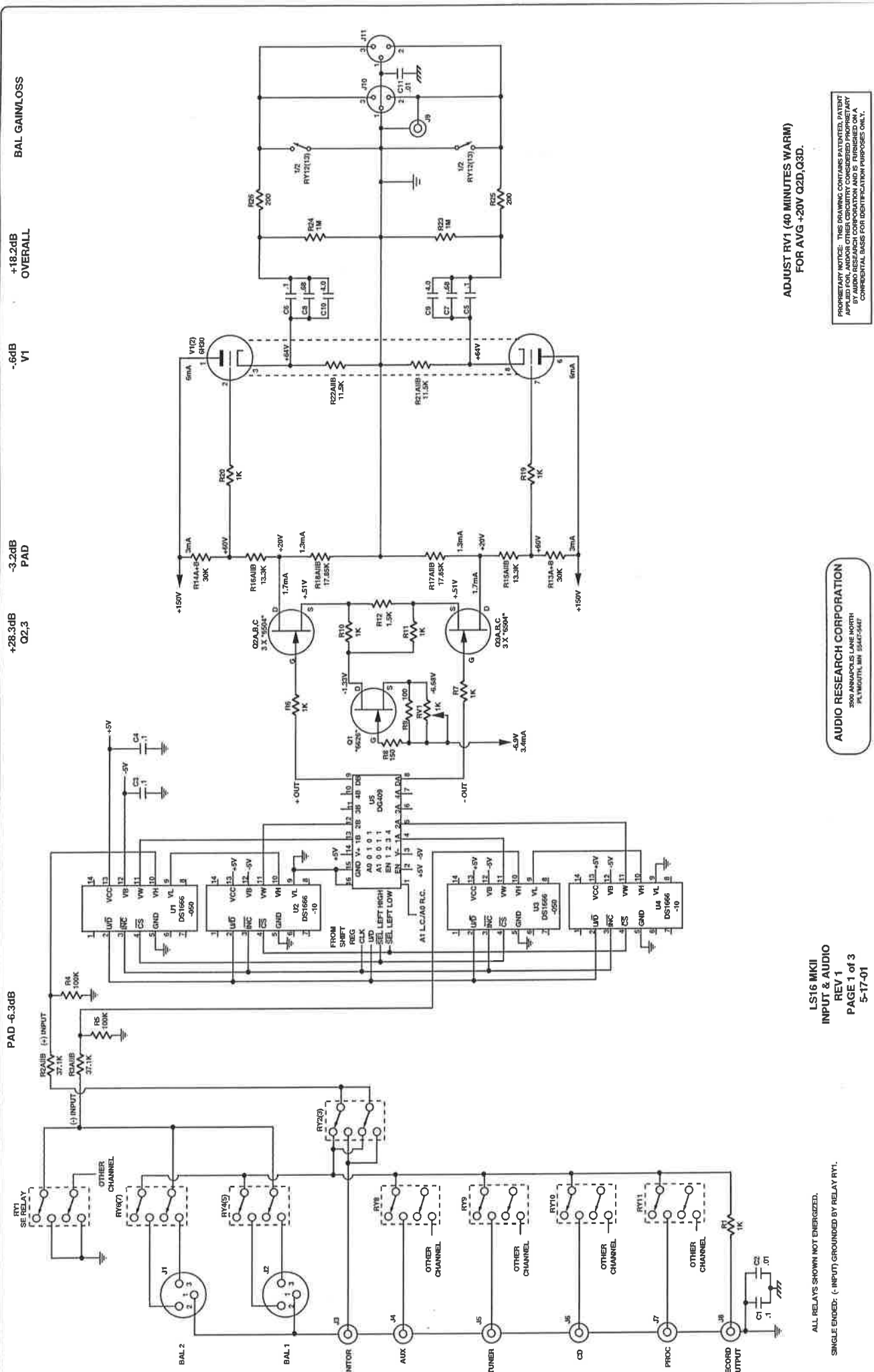
audio research

H I G H D E F I N I T I O N[®]

3900 ANNAPOLIS LANE NORTH / PLYMOUTH, MINNESOTA 55447-5447 / PHONE: 763-577-9700 FAX 763-577-0323

LS16MKII
SCHEMATIC

5-17-01



PAD -6.3dB
 +28.3dB Q2,3
 -3.2dB PAD
 -6dB V1
 +18.2dB OVERALL
 BAL GAINLOSS

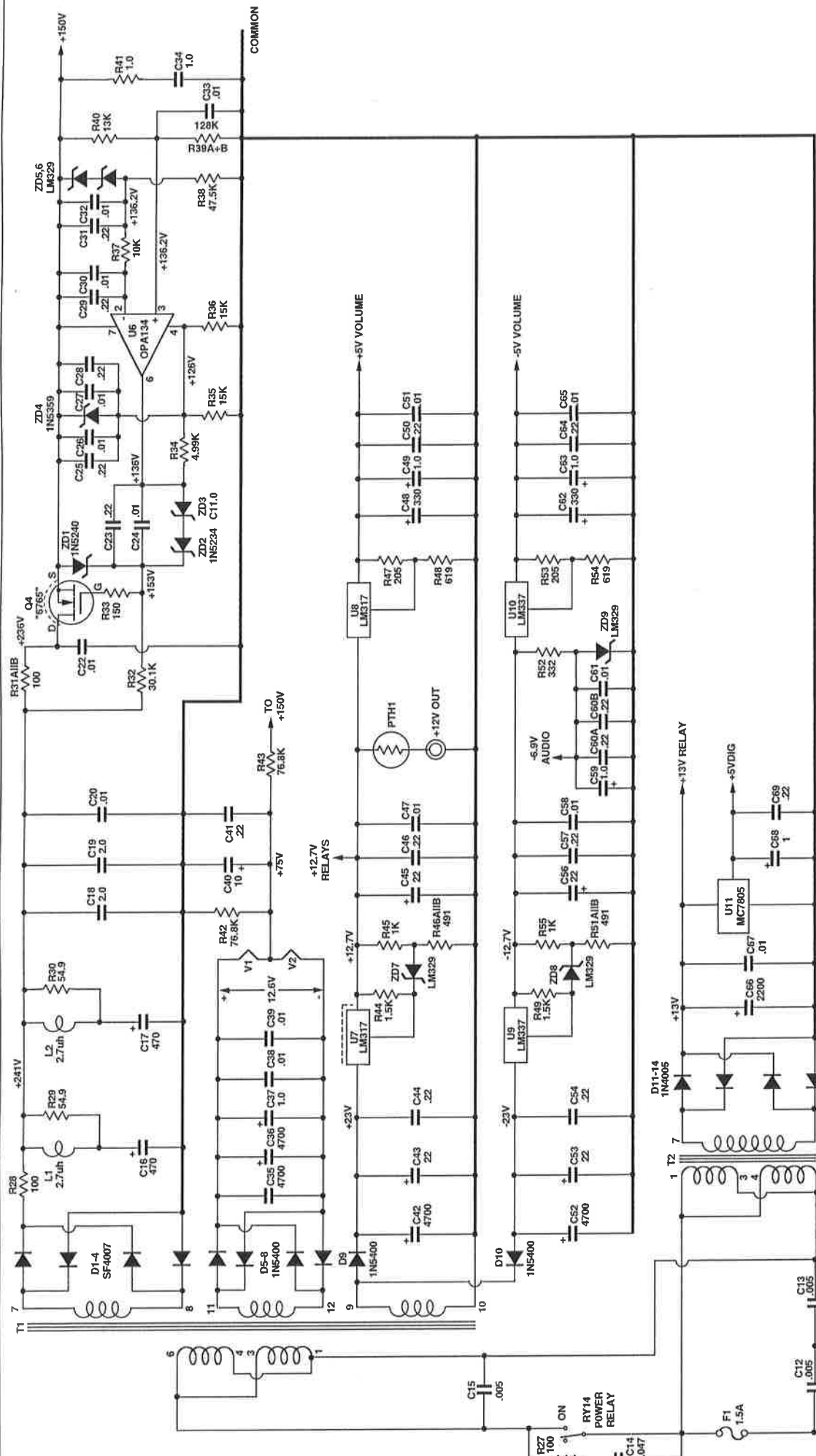
ADJUST RV1 (40 MINUTES WARM)
 FOR AVG +20V Q2D,Q3D.

PROPRIETARY NOTICE: THIS DRAWING CONTAINS PATENTED, PATENT APPLIED FOR, AND/OR OTHER COPYRIGHTED PROPRIETARY BY AUDIO RESEARCH CORPORATION AND IS FURNISHED ON A CONFIDENTIAL BASIS FOR IDENTIFICATION PURPOSES ONLY.

AUDIO RESEARCH CORPORATION
 2008 ANNAPOLES LAKE MOUNTAIN
 PK. 1000701, ANN. 54127-0427

LS16 MKII
 INPUT & AUDIO
 REV 1
 PAGE 1 of 3
 5-17-01

ALL RELAYS SHOWN NOT ENERGIZED.
 SINGLE ENDED: (-) INPUT GROUNDED BY RELAY RV1.

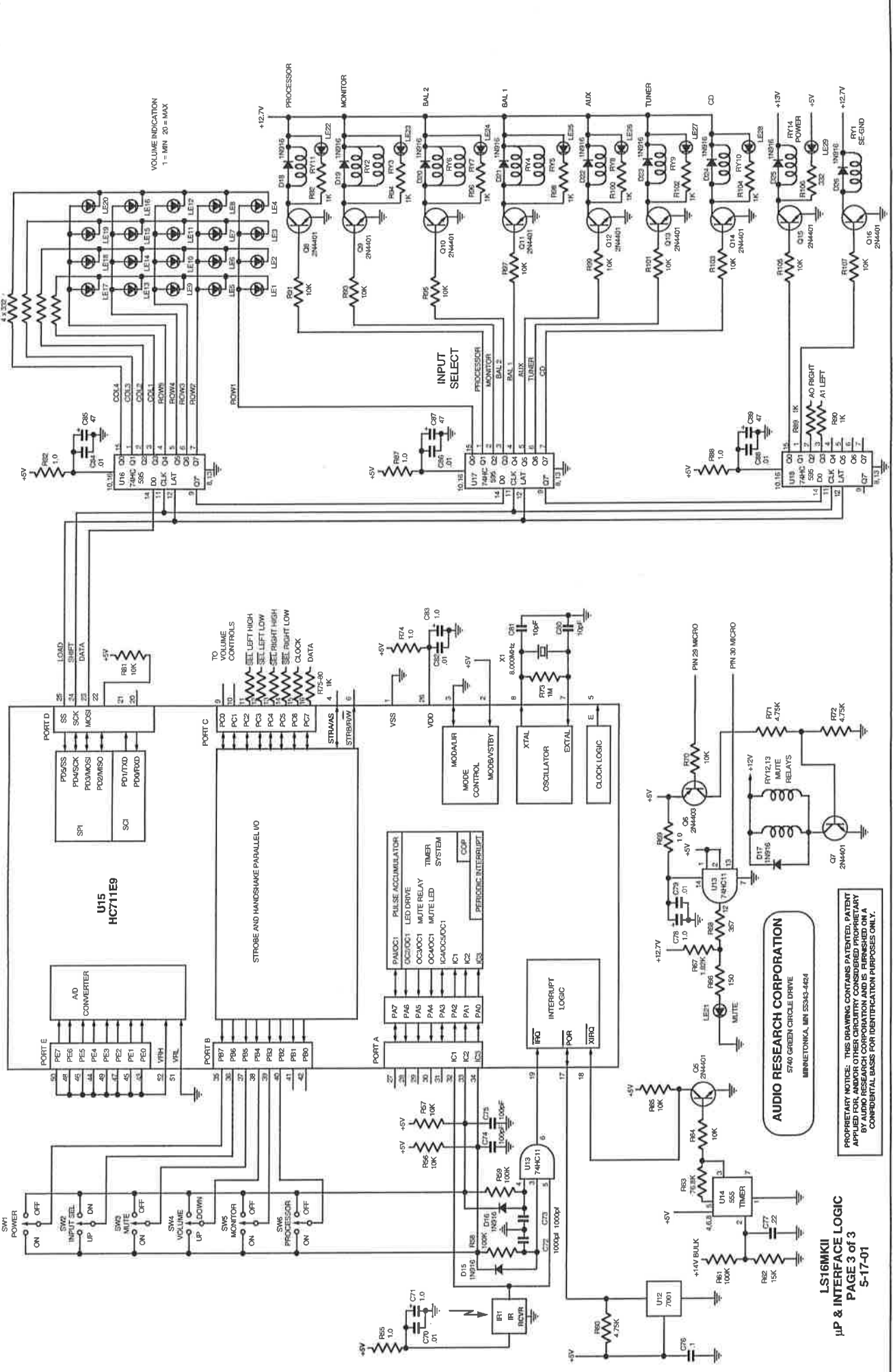


PROPRIETARY NOTICE: THIS DRAWING CONTAINS PATENTED
 INFORMATION. ANY REPRODUCTION OR OTHER USE WITHOUT THE
 WRITTEN PERMISSION OF AUDIO RESEARCH CORPORATION IS
 PROHIBITED. AUDIO RESEARCH CORPORATION AND ITS
 PRODUCTS ARE REGISTERED TRADEMARKS OF AUDIO RESEARCH
 CORPORATION. PLYMOUTH, MN 55447-5447

AUDIO RESEARCH CORPORATION
 3800 ANNAPOLIS LAKE NORTH
 PLYMOUTH, MN 55447-5447

LS-16MKII
POWER SUPPLY
 REV 1
 PAGE 2 of 3
 5-17-01

120VAC 50/60HZ 50W MAX



AUDIO RESEARCH CORPORATION
 5740 GREEN CIRCLE DRIVE
 MINNETONKA, MN 55345-4624

PROPRIETARY NOTICE: THIS DRAWING CONTAINS PATENTED, PATENT APPLIED FOR, AND/OR OTHER CIRCUMSTANTIAL PROPRIETARY INFORMATION OF AUDIO RESEARCH CORPORATION AND IS FURNISHED ON A CONFIDENTIAL BASIS FOR IDENTIFICATION PURPOSES ONLY.

audio research

H I G H D E F I N I T I O N[®]

3900 ANNAPOLIS LANE NORTH / PLYMOUTH, MINNESOTA 55447-5447 / PHONE: 763-577-9700 FAX 763-577-0323

LS16MKII PREAMPLIFIER
PARTS LIST

10-23-02

PARTS LIST

As of OCT 23 02

PRODUCT: LS16MKII

Schematic Symbol	Quantity	ARC Part #	Description
C CAPACITORS			
C1,3,4,76	7	52100500	CAP., 0.1µf 100V ±20%
C2,11,70,79,82,84,86,88	10	52100400	CAP., .01µf 200V ±10%
C5,6	4	53100507	CAP., 0.1µF ±10% 630V
C7,8	4	53680505	CAP., .68µF 425V INFINICAP GRN
C9,10	4	53400602	CAP., 4.0µF 20% 425V INFINIGRN
C12,13,15	3	52500300	CAP., .005µF 300VAC/2000V ±20%
C14	1	53470404	CAP., .047µf ±20% 250V
C16,17	2	50470809	CAP., 470µF 250V
C18,19	2	53200603	CAP., 2µF ±10% 250V
C20,22	2	53100412	CAP., .01µF ±10% 600V RTX
C23,25,28,29,31,41,44,46,50,54,57,60A C 60B,64,69,77	16	53220507	CAP., .22µf ±10% 160V
C24,26,27,30,32,38,39,47,51,58,61,65 C 67	13	53100410	CAP., .01uf ±10% 400V
C33	1	53100406	(SS)CAP., .01µf ±10% 630V
C34	1	53100609	CAP., 1.0µF ±10% 200V PPMF
C35,36,42,52	4	50470901	CAP., 4700µF 35V
C37,49,59,63,68,71,78,83	8	50100601	CAP., 1µF 50V "LYTIC"
C40	1	50100706	CAP., 10uf 400V
C43,45,53,56	4	50220702	CAP., 22µF 50V "LYTIC"
C48,62	2	50330801	CAP., 330µF 16V "LYTIC"
C66	1	50220903	CAP., 2200µF 35V ELECTROLYTIC
C72,73	2	52100301	CAP., 1000pf 200V ±10% CER RAD
C74,75	2	52100200	CAP., 100pf 200V ±10%
C80,81	2	52100100	CAP., 10pf 200V ±10% CER. RAD.
C85,87,89	3	50470701	CAP., 47µF 35V ±20%
D DIODES			
D1-4	4	30505900	DIODE, SF4007
D5-10	6	30501500	IN5400
D11-14	4	30500400	IN4005
D15-26	12	30500910	1N916B
F FUSES			
F1	1	34501700	(B)FUSE, 1.5 AMP MDX BUSSMAN
IR IR RECEIVERS			
IR1	1	34100400	RECEIVER, IR VISHAY TSOP1736
J CONNECTORS			
J1,2	4	23201960	CONNECTOR, XLR FEM. #NC3FD-V-B
J3-9	7	23201509	JACK, CHASSIS RED
J3-9	7	23201510	JACK, CHASSIS WHITE
J10,11	4	23201965	CONNECTOR, XLR MALE #NC3MD-V-B
J12	1	23201800	INLET, IEC MALE POWER
J13	1	23202900	JACK, MINI PHONE .140"

PARTS LIST

As of OCT 23 02

PRODUCT: LS16MKII

Schematic Symbol	Quantity	ARC Part #	Description
L INDUCTORS			
L1,2	2	61000160	CHOKE, 2.7 μ H \pm 10%
LE PANEL INDICATOR			
LE1,29	29	34300300	L.E.D., GREEN SPOT LTL-1234A
PTH POSISTERS			
PTH1	1	47000700	SWITCH, POLYSWITCH LS25
Q TRANSISTORS			
Q2A,2B,2C,3A,3B,3C	12	30006504	FET, WHITE YELLOW
Q4	1	30006765	FET, ORANGE-YELLOW-GREEN
Q5,7-16	11	30002800	TRANSISTOR, 2N4401
Q6	1	30002900	TRANSISTOR, 2N4403
R RESISTORS			
R1,10,11,45,55	8	42100303	RES., 1K Ω MK-3 1% 50PPM
R2A,3A	4	42590403	RES., 59K Ω MK-3 1% 50PPM
R2B,3B,4,5	8	42100503	RES., 100K Ω MK-3 1% 50PPM
R6,7,19,20	8	42100314	RES., 1K Ω MK-5 1% 50PPM
R8,33,66	4	42150202	RES., 150 Ω MK-2 1% 50PPM
R9,27	3	42100203	RES., 100 Ω MK-3 1% 50PPM
R12,44,49	4	42150303	RES., 1.50K Ω MK-3 1% 50PPM
R13A,13B,14A,14B	8	42150414	RES., 15K Ω MK-5 1% 50PPM
R15A,15B,16A,16B	8	42267403	RES., 26.7K Ω MK3 1% 50PPM
R17A,17B,18A,18B	8	42357403	RES., 35.7K Ω MK-3 1% 50PPM
R21A,22A,35,36	6	42150405	RES., 15K Ω MK-8 1% 50PPM
R21B,22B	4	42499403	RES., 49.9K Ω MK-3 1% 50PPM
R23,24	4	42100603	RES., 1 MEG MK-3 1% 50PPM
R25,26,31A,31B	6	42200205	RES., 200 Ω MK8 1% 50PPM
R28	1	43100208	RES., 100 Ω 5% 3W W.W.
R29,30	2	42549103	RES., 54.9 Ω MK-3 1% 50PPM
R32,46B,51B	3	42301403	RES., 30.1K Ω MK3 1% 50PPM
R34	1	42499303	RES., 4.99K Ω MK-3 1% 50PPM
R37	1	42100403	RES., 10K Ω MK-3 1% 50PPM
R38	1	42475414	RES., 47.5K Ω MK-5 1% 50PPM
R39A	1	42511403	RES., 51.1K Ω MK-3 1% 50PPM
R39B,42,43	3	42768403	RES., 76.8K Ω MK-3 1% 50PPM
R40	1	42130403	RES., 13K Ω MK-3 1% 50PPM
R41	1	43100002	RES., 1 Ω 2W 5% W.W.
R46A,51A	2	42499203	RES., 499 Ω MK-3 1% 50PPM
R47,53	2	42205203	RES., 205 Ω MK-3 1% 50PPM
R48,54	2	42619203	RES., 619 Ω MK-3 1% 50PPM
R52	1	42332203	RES., 332 Ω MK-3 1% 50PPM
R55,69,74,82,87,88	7	42100002	RES., 1 Ω MK-2 1% 50 PPM
R56,57,64,65,70,81,91,93,95,97,99,101	15	42100402	RES., 10K Ω MK-2 1% 50 PPM
R 103,105,107			
R58,59,61	3	42100502	RES., 100K Ω MK-2 1% 50PPM
R60,71,72	3	42475302	RES., 4.75K Ω MK-2 1% 50 PPM
R62	1	42150402	RES., 15.0K Ω MK-2 1% 50 PPM

PARTS LIST

As of OCT 23 02

PRODUCT: LS16MKII

Schematic Symbol	Quantity	ARC Part #	Description
R63	1	42768402	RES., 76.8KΩ MK-2 1% 50PPM
R67	1	42182302	RES., 1.82KΩ MK-2 1% 50 PPM
R68	1	42357202	RES., 357 OHM MK-2
R73	1	42100602	RES., 1 MEG MK2 1% 50PPM
R75-80,89,90,92,94,96,98,100,102,104	15	42100302	RES., 1KΩ MK-2 1% 50 PPM
R83-86,106	5	42332202	RES., 332Ω MK-2 1% 50PPM
RV CONTROLS			
RV1	2	45100301	POT., TRIM 1KΩ
RY RELAYS			
RY1-13	13	64101600	RELAY, 12VDC
RY14	1	64101320	RELAY, STANDBY REFPHONO
SW SWITCHES			
SW1,3,5,6	4	24102600	SWITCH, MOMENTARY REF1/2/LS25
SW2,4	2	24003600	SWITCH, ROTARY UP-DOWN LS25
T TRANSFORMERS			
T1	1	60017614	XFR., LS25MKII/LS16 POWER
T2	1	60013614	XFR., LS15/16/25 10V 115/130V
U INTEGRATED CIRCUITS			
U1,3	4	31008121	POT., DIGITAL DS1666-050
U2,4	4	31008111	POT., DIGITAL 10KΩ DS1666-10
U5	2	31003820	DUAL ANALOG SWITCH DG409DJ
U6	1	31002230	OPA134
U7,8	2	31004000	REGULATOR, VOLTAGE ADJ. POS.
U9,10	2	31004700	REGULATOR, VOLTAGE ADJ. NEG.
U11	1	31002910	REGULATOR, IC 5V
U12	1	31008400	LX7001CLP, LINFINITY
U13	1	31007400	TRIPLE 3-INPUT & GATE, 74HC11N
U14	1	31000801	TIMER, MC1455P1 OR NE555V
U15	1	31006900	(Q)MICROCONTROLLER
U16-18	3	31006800	REGISTER, LATCH
V VACUUM TUBES			
V1,2	2	32002301	(B)TUBE, 6H30P (TESTED)
X CRYSTALS			
X1	1	27000060	CRYSTAL, 8MHZ #CTX082ND

PARTS LIST

As of OCT 23 02

PRODUCT: LS16MKII

Schematic Symbol	Quantity	ARC Part #	Description
ZD			ZENER DIODES
ZD1	1	30504400	1N5240B
ZD2	1	30502100	1N5234B
ZD3	1	30504900	ZENER, 11V BZX55C11
ZD4	1	30503500	1N5359A OR B
ZD5-8	5	31000705	FET, GREEN